
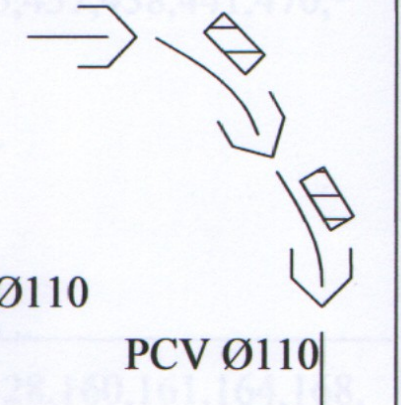

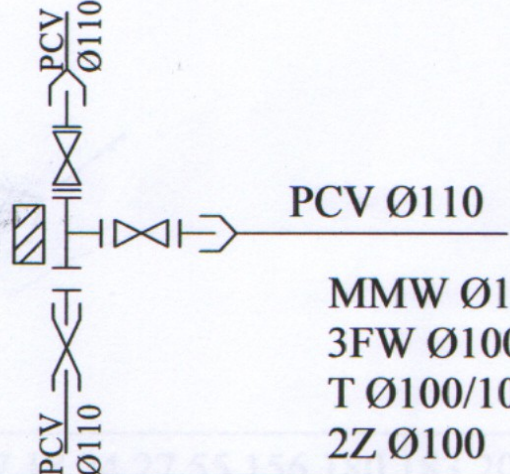
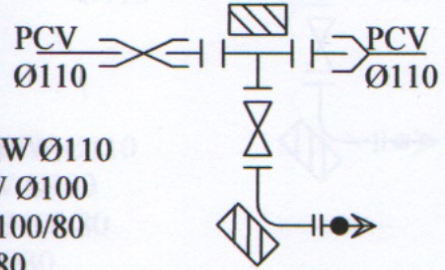


Schemat węzłów

Sieć wodociągowa z przyłączami: Gmina Piotrków Kujawski

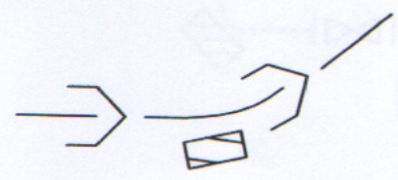
| | |
|--|---|
| <p>W 1</p>  <p>ISTN PCV Ø110</p> <p>MMW Ø 110 2FW Ø 100 Z Ø 100</p> | <p>W 2,3,229,322,343,344, 351,430,436,457,461,462,</p>  <p>MQW PCV Ø110 MQW Ø 90° PCV Ø110</p> |
| <p>W 5,6,157,159</p>  <p>MQW Ø 110 $\angle 22^\circ$</p> | <p>W 7,53,72,227,228, 235A,311,318,320,328</p>  <p>MMW Ø110 3FW Ø100 T Ø100/100 2Z Ø100</p> |
| <p>W 8,11,54,74,120,126,141, 194,214,221,310,332,334, 392,474,</p>  <p>MMW Ø110 2FW Ø100 T Ø100/80 Z Ø80 N Ø80 HP Ø80</p> | <p>W 13,14,19,20,25,46,61,67,106,122,123,128,180,181,184,187, 189,192,195,199,202,205,208,211,213,215,218,220,222,224,226,228,230,232,234,236,238,240,242,244,246,248,250,252,254,256,258,260,262,264,266,268,270,272,274,276,278,280,282,284,286,288,290,292,294,296,298,300,302,304,306,308,310,312,314,316,318,320,322,324,326,328,330,332,334,336,338,340,342,344,346,348,350,352,354,356,358,360,362,364,366,368,370,372,374,376,378,380,382,384,386,388,390,392,394,396,398,400,402,404,406,408,410,412,414,416,418,420,422,424,426,428,430,432,434,436,438,440,442,444,446,448,450,452,454,456,458,460,462,464,466,468,470,472,474,476,478,480,482,484,486,488,490,492,494,496,498,500</p> <p>MQW Ø110</p> |

W 9,10,12,16,21,22,23,26,27,31,32,33,36,40,41,48,50,51,52,57,61,62,63,64, 70,71,81,82,83,84,85,86,89,90,91,92,93,94,95,96,105,107,108,109,110,111, 112,117,121,124,125,127,129,130,131,139,140,150,151,152,154,155,162, 163,165,166,181,184,185,195,196,204,205,212,215,217,218,219,220,222, 237,244,252,254,256,257,260,284,286,287,289,290,291,291,294,295,296, 297,298,299,300,301,303,304,313,323,325,330,331,333,374,387,389,397, 398,399,400,401,402,412,413,424,425,426,427,432,435,437,438,441,470,



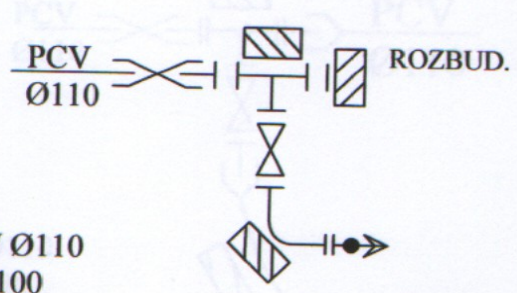
MQW PCV Ø110 ∠11°

W 13,14,19,20,25,46,47,49,59,66,67,87,106,122,123,128,160,161,164,168, 172,174,191,192,193,199,200,207,208,209,210,213,215,236,238,242,248, 249,274,282,288,305,306,307,308,328,329,373,386,416,417,419,428,431, 439,440,442,443,446,447,448,468,472,473,475,



MQW Ø110 ∠22°

W 15,29,56,171,182,224,230,233,269, 271,283,312,317,324,327,339,367,374, 379,394,429,434,444,



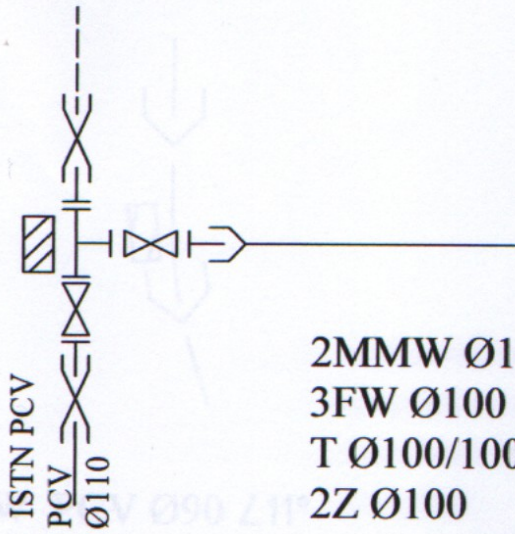
- MMW Ø110
- FW Ø100
- T Ø100/80
- N Ø80
- HP Ø80
- X Ø110

W 4,17,18,24,27,55,156,180,183,201, 211,231,232,246,259,281,319,321, 342,345,349,350,369,375,376,390, 391,409,411,415,422,423,449,455,



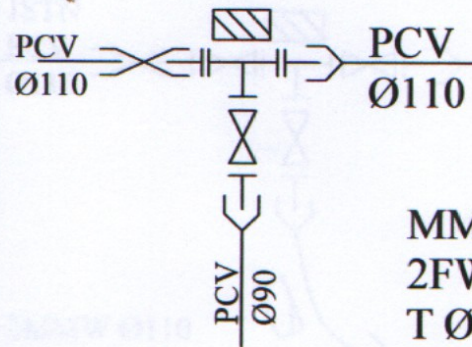
MQW Ø110 ∠45°

W 30



- 2MMW Ø110
- 3FW Ø100
- T Ø100/100
- 2Z Ø100

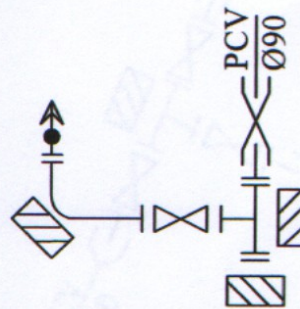
W 34,113,142,170,174,178, 225,234,261



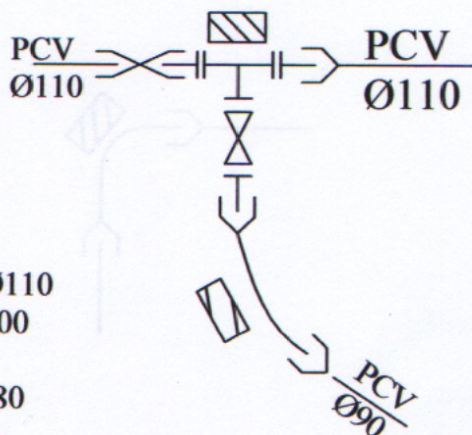
- MMW Ø110
- 2FW Ø100
- T Ø80
- Z Ø80
- FW Ø80
- T Ø100/80

W 35,38,44,69,79,116,138,143,149,171A,171B,177,179,190,216,226,235,241, 245,250,262,265,

- MMW Ø90
- FW Ø60
- Z Ø80
- T Ø80/80
- N Ø80
- HP Ø80
- X Ø90

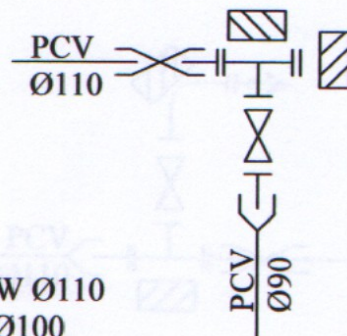


W 37,58,68,186



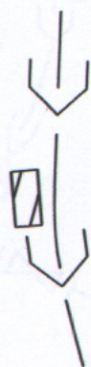
- MMW Ø110
- 2FW Ø100
- Z Ø80
- T Ø100/80
- FW Ø80
- MQW Ø90/22°

W 42



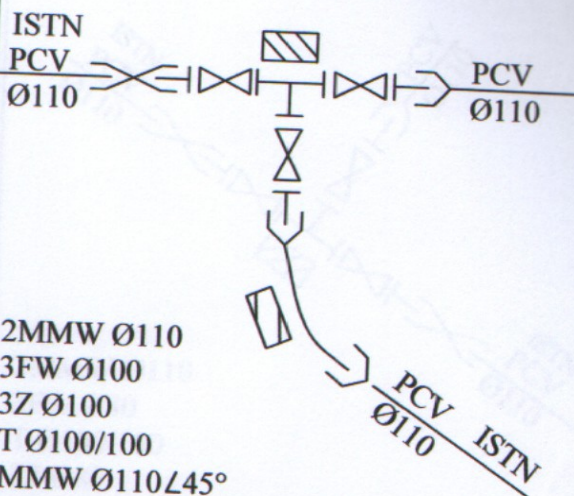
- MMW Ø110
- FW Ø100
- Z Ø80
- T Ø100/80
- FW Ø80
- X Ø110

W 43,101



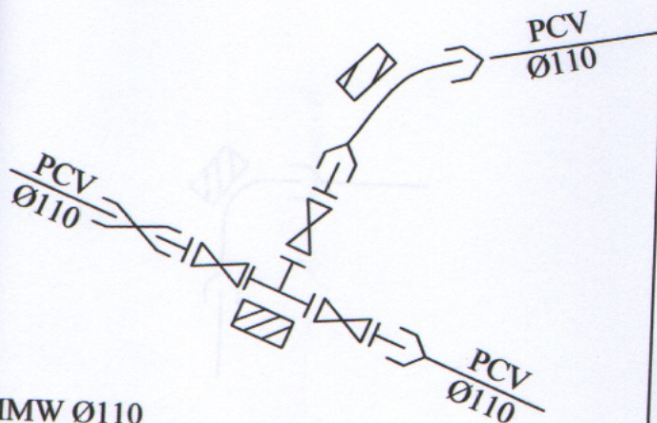
MQW PCV Ø90 $\angle 11^\circ$

W 45



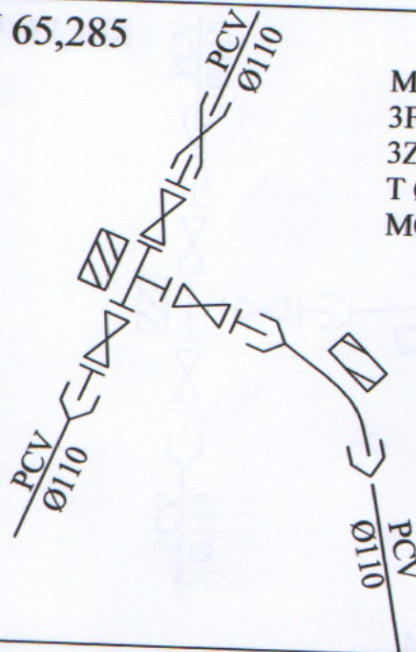
2MMW Ø110
3FW Ø100
3Z Ø100
T Ø100/100
MMW Ø110 $\angle 45^\circ$

W 60



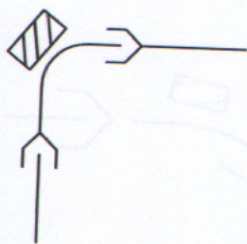
MMW Ø110
3FW Ø100
3Z Ø100
MQW Ø100 $\angle 45^\circ$

W 65,285



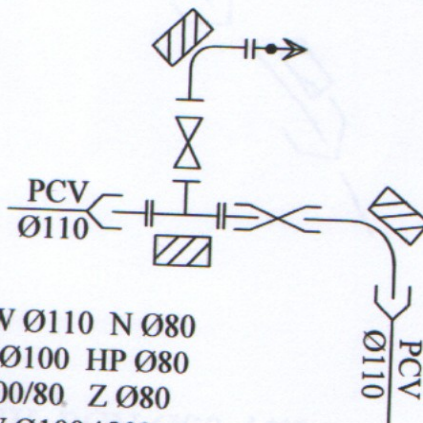
MMW Ø110
3FW Ø100
3Z Ø100
T Ø100/100
MQW Ø110 $\angle 22^\circ$

W 73,76,77,78,239,267,277,279,280,
340,346,347,348,352,366,370,378,380,
404,407,414,433,452,453,460,466,467,



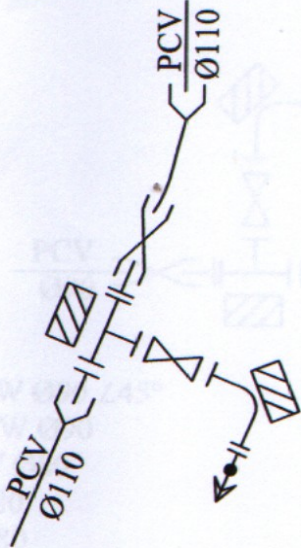
MQW Ø110 $\angle 90^\circ$

W 75,158,206,336



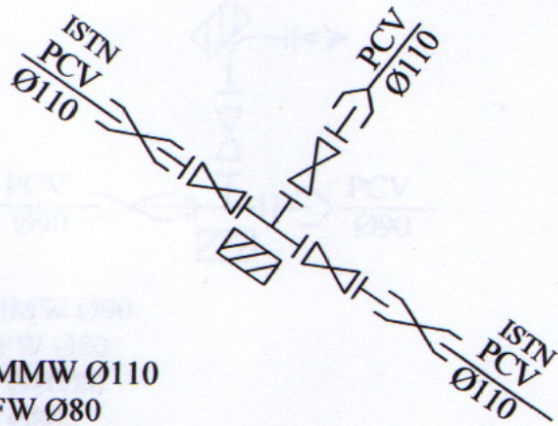
MMW Ø110 N Ø80
2FW Ø100 HP Ø80
T Ø100/80 Z Ø80
MQW Ø100 $\angle 90^\circ$

W 80,302



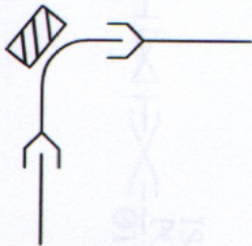
MMW Ø110 N Ø80
 2FW Ø80 HP Ø80
 T Ø100/80 Z Ø80
 MQW Ø100∠11°

W 80,272,273



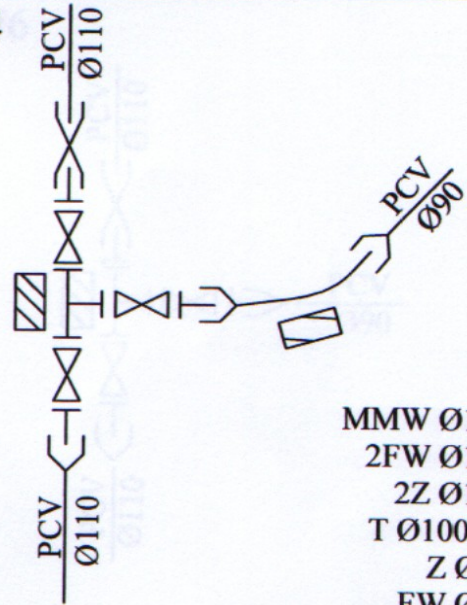
2MMW Ø110
 3FW Ø80
 T Ø100/100
 3Z Ø80

W 114,115,118,264



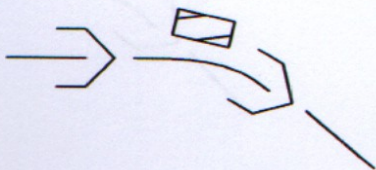
MQW Ø90∠90°

W 97,144



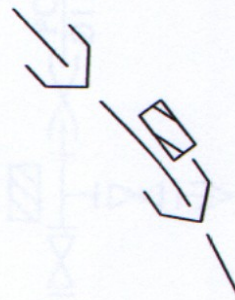
MMW Ø110
 2FW Ø100
 2Z Ø100
 T Ø100/80
 Z Ø80
 FW Ø80
 MQW Ø90∠45°

W 98,102,103,133,145,148,176,
 187,254,384



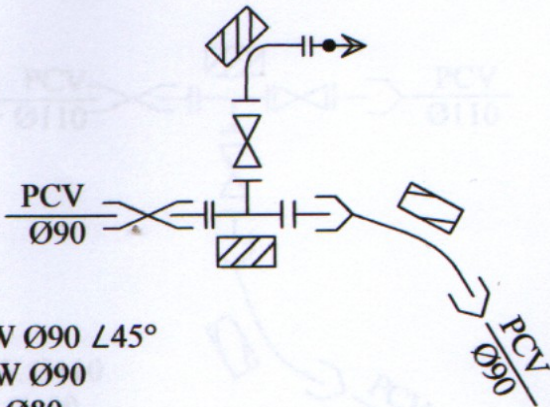
MQW Ø90∠22°

W 99,134,137,147,189



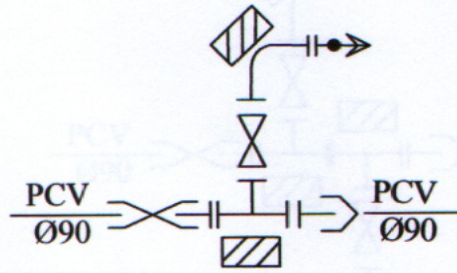
MQW PCV Ø90 ∠11°

W 100



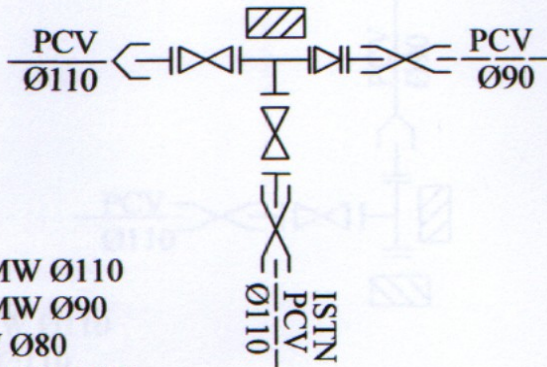
- MQW Ø90 45°
- MMW Ø90
- 2FW Ø80
- Z Ø80
- N Ø80
- HP Ø80

W 104



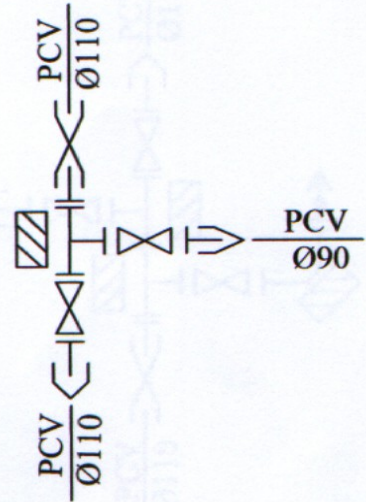
- MMW Ø90
- 2FW Ø80
- T Ø80/80
- Z Ø80
- N Ø80
- HP Ø80

W 119,383



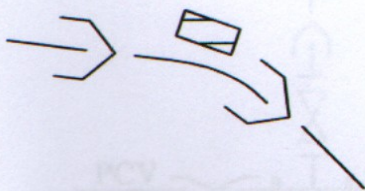
- MMW Ø110
- MMW Ø90
- FW Ø80
- FFR Ø100/80
- T Ø100/100
- 2Z Ø100
- 2FW Ø100

W 132,276



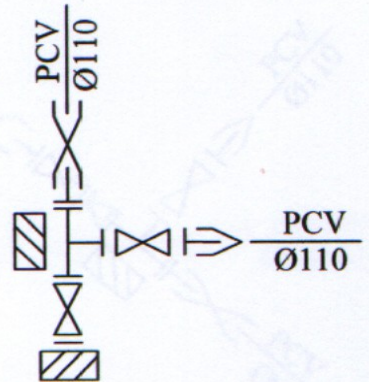
- MMW Ø110
- FW Ø80
- 2FW Ø100
- T Ø100/80
- Z Ø80
- Z Ø100

W 135,136,188



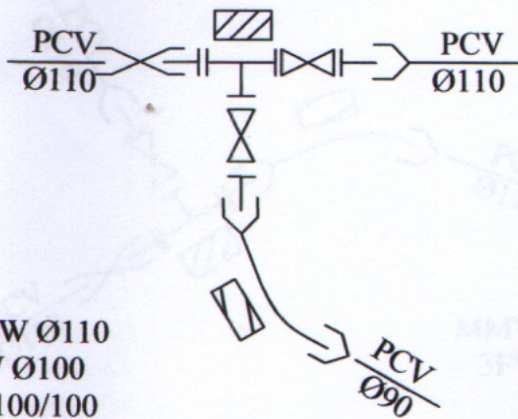
- MQW Ø90 45°

W 153



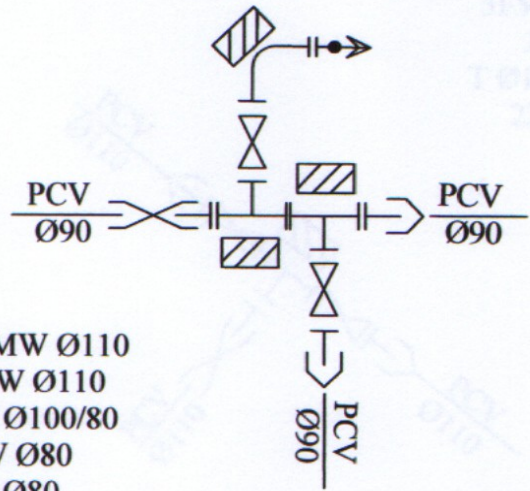
- MMW Ø110
- 2FW Ø100
- T Ø100/100
- 2Z Ø100
- X Ø110

W 167,173,197,198



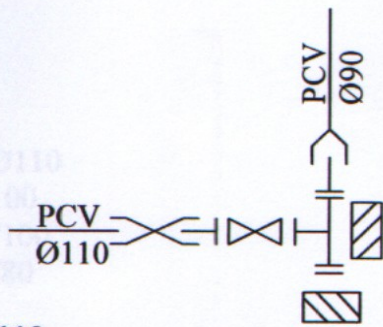
MMW Ø110
3FW Ø100
T Ø100/100
2Z Ø100
MQW Ø110 L22°

W 169



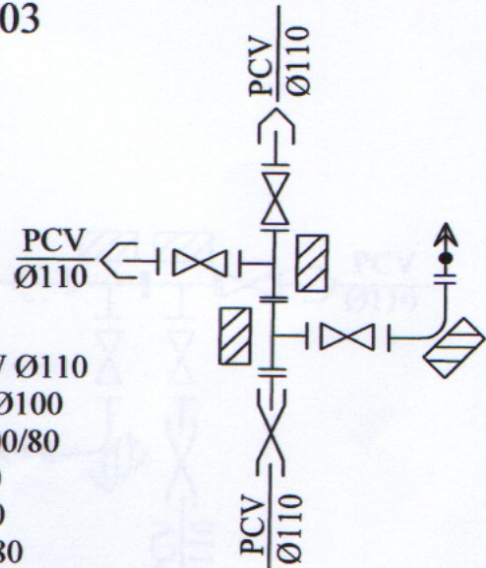
MMW Ø110
2FW Ø110
2T Ø100/80
FW Ø80
2Z Ø80
N Ø80
HP Ø80

W 175



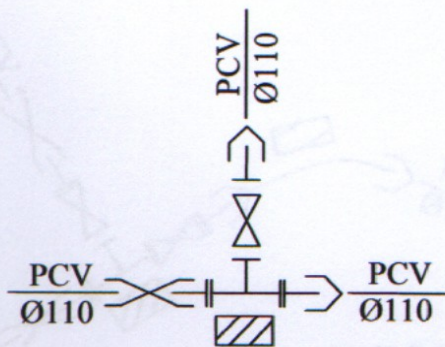
MMW Ø110
FW Ø110
2T Ø100/80
X Ø110
FW Ø90

W 203



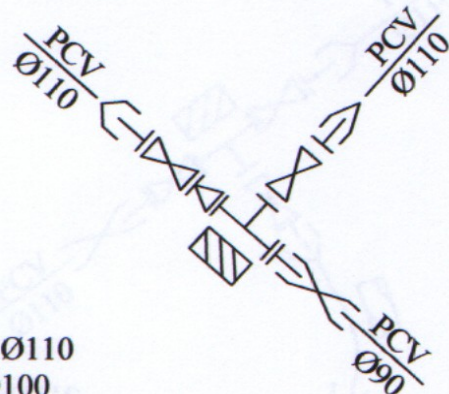
MMW Ø110
3FW Ø100
T Ø100/80
Z Ø80
N Ø80
HP Ø80
T Ø100/100
2Z Ø100

W 223,247,268,270,314,326,341,377,
393,395,451,



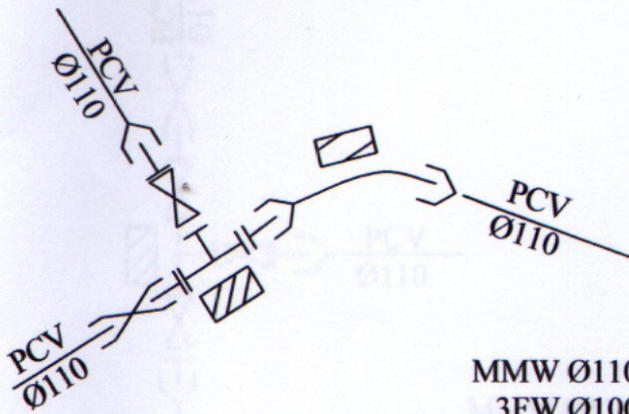
MMW Ø110
3FW Ø100
T Ø100/1000
Z Ø100

W 240,263,253



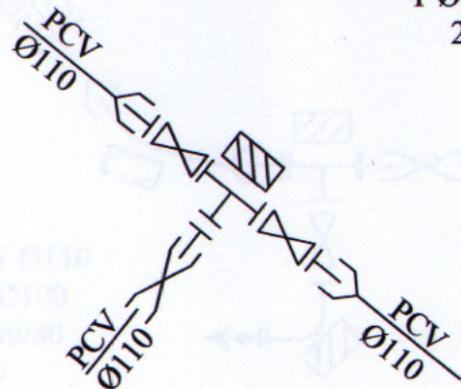
MMW Ø110
2FW Ø100
T Ø100/100
FFR Ø100/80
Z Ø80
FW Ø80

W 243,456



MMW Ø110
3FW Ø100
Z Ø100
T Ø100/100
MQW Ø110 $\angle 22^\circ$

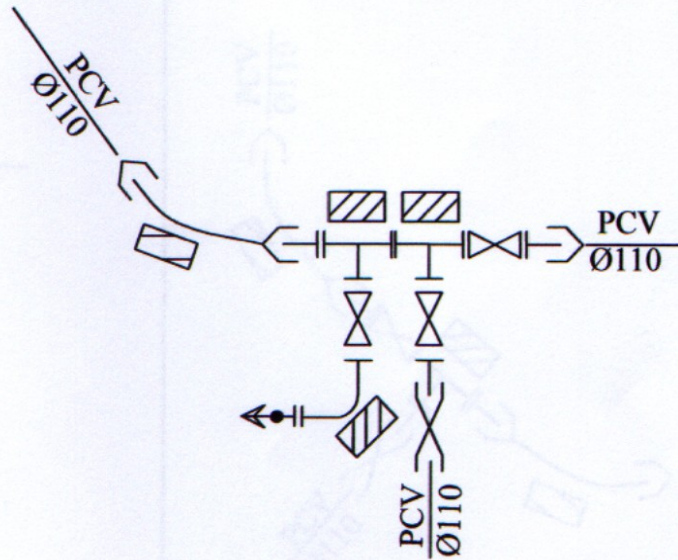
W 251,335



MMW Ø110
3FW Ø100
Z Ø100
T Ø100/100
2Z Ø100

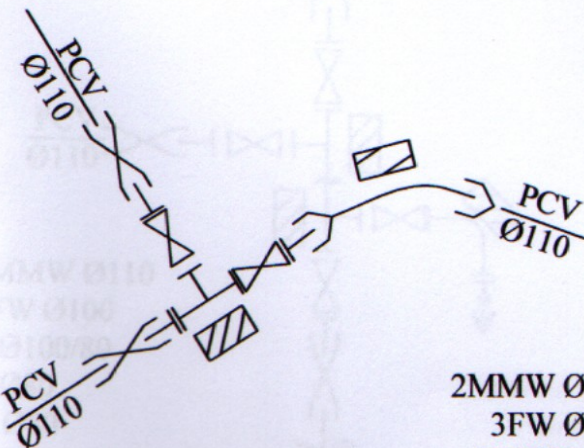
W 253

MMW Ø110
3FW Ø100
T Ø100/100
T Ø100/80
Z Ø80
2Z Ø100
N Ø80
HP Ø80
MQW Ø110 $\angle 22^\circ$



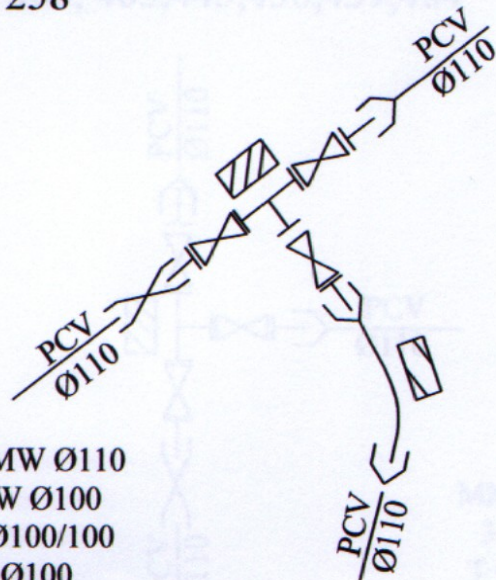
W 365,368

W 255,356



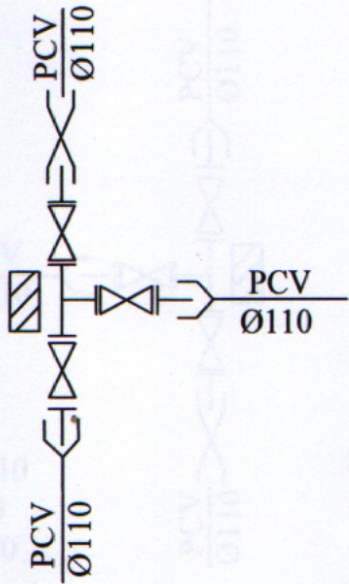
2MMW Ø110
3FW Ø100
T Ø100/100
2Z Ø100
MQW Ø110 $\angle 22^\circ$

W 258



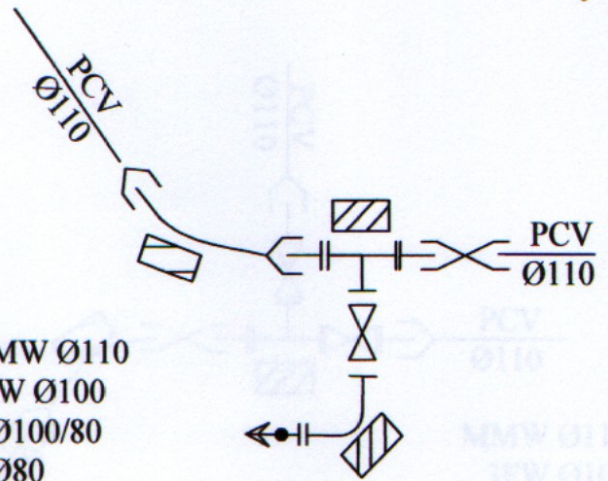
MMW Ø110
3FW Ø100
T Ø100/100
3Z Ø100
MQW Ø110 $\angle 45^\circ$

W 266,293,309



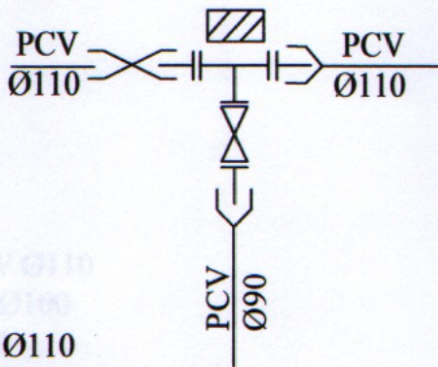
MMW Ø110
3FW Ø100
3Z Ø100
T Ø100/100

W 315



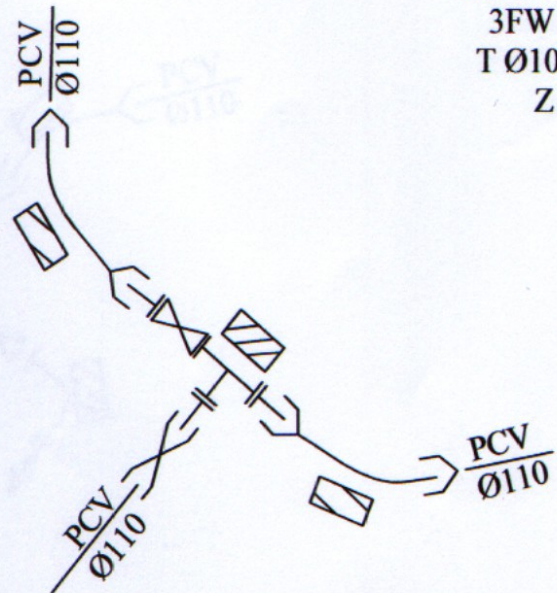
MMW Ø110
2FW Ø100
T Ø100/80
Z Ø80
N Ø80
HP Ø80
MQW Ø110 45°

W 337



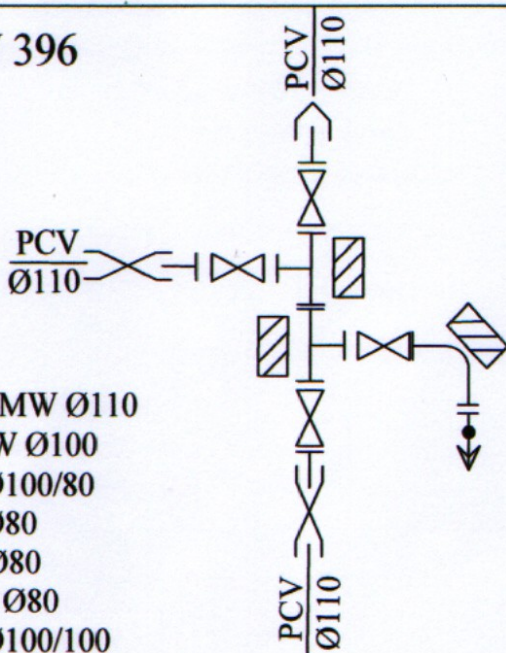
MMW Ø110
2FW Ø100
Z Ø80
T Ø100/80
FW Ø80

W 365,368



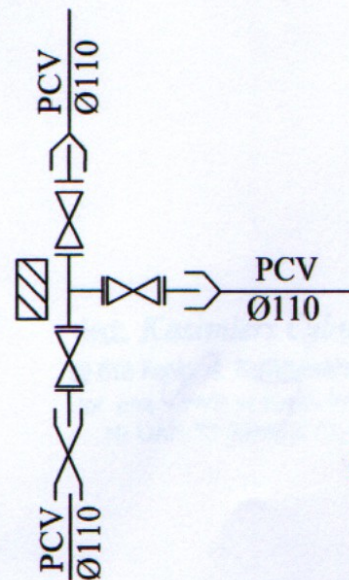
2MQW Ø110 45°
MMW Ø110
3FW Ø100
T Ø100/100
Z Ø100

W 396



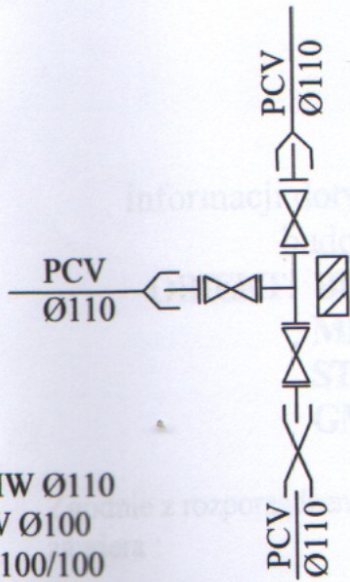
2MMW Ø110
3FW Ø100
T Ø100/80
Z Ø80
N Ø80
HP Ø80
T Ø100/100
3Z Ø100

W 403, 405,445,450,459,464



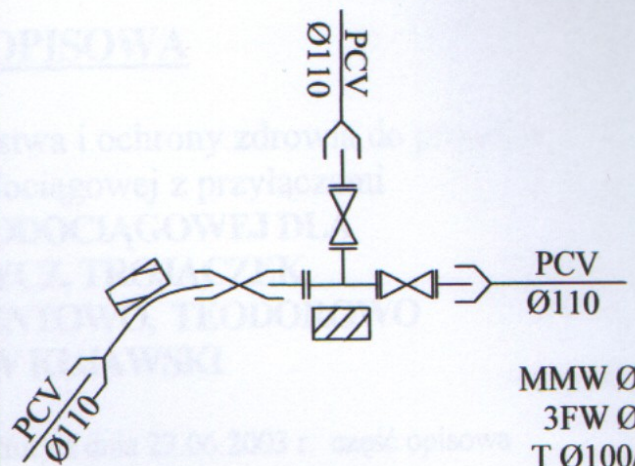
MMW Ø110
3FW Ø100
T Ø100/100
2Z Ø100

W 408



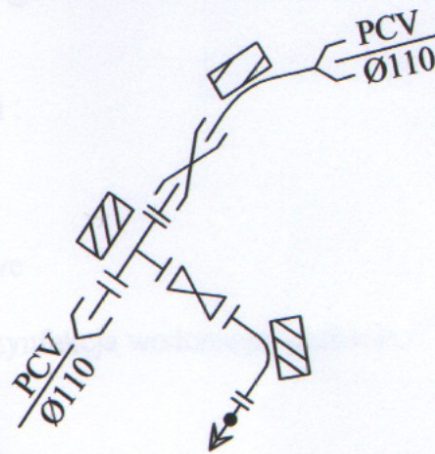
MMW Ø110
 3FW Ø100
 T Ø100/100
 3Z Ø100

W 410,418,420



MMW Ø110
 3FW Ø100
 T Ø100/100
 2Z Ø100
 MQW Ø110 45°

W 469,471



MMW Ø110
 2FW Ø100
 Z Ø80
 N Ø80
 HP Ø80
 MQW Ø110 22°

inż. Kazimierz Cybulski
 62-510 Konin, ul. Szlachecka, 7/5
 Upr. proj. i wyk. w specj. inst.-inż.
 Nr UAN 73 8346/1/21/26